

AMH

Canada Ltd

CompuSpot®



Telescopic boom



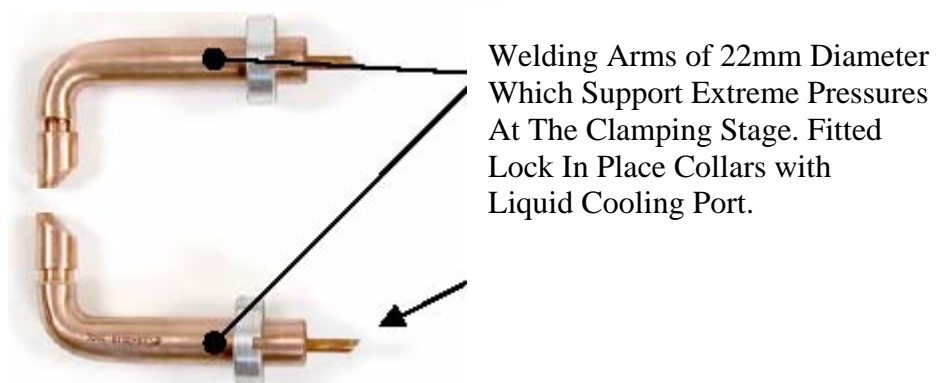
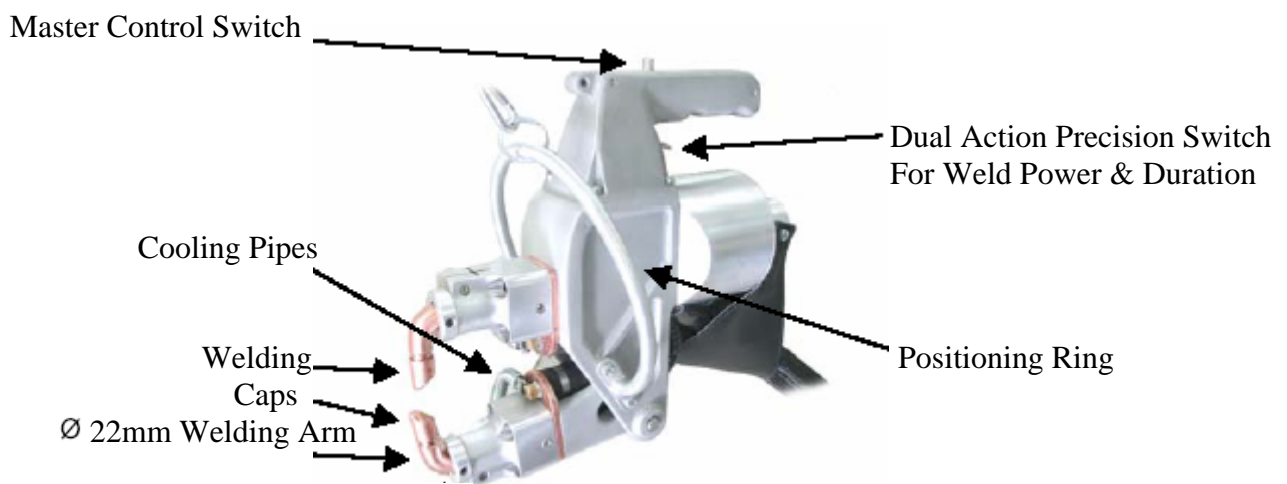
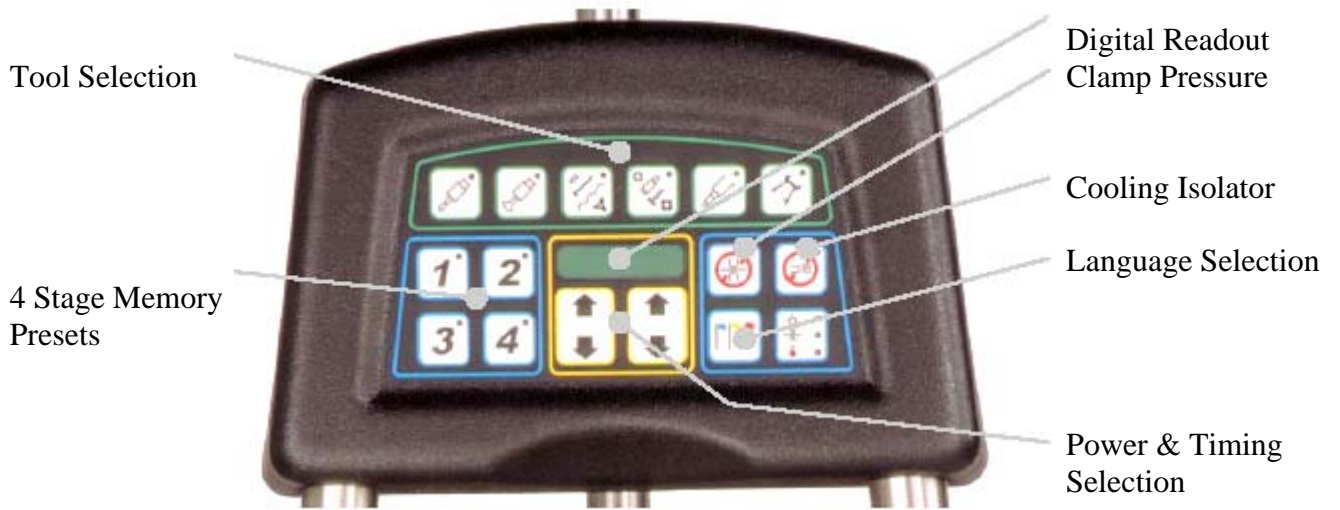
Stabilizing pulley

CompuSpot 800 HF

Liquid Cooled Inverter Spot Welder



- Liquid Cooled, 3 Phase, 14,000 Amp Power Plant.
- Permanently Fixed Single & Double Side Spot Welding Guns.
- Produces Up To 550 daN (1,200 lb force) At The Tips.
- Backlit LCD Display For Program Selection.
- Digitally Controlled Programmable Weld Settings Enabling Factory Quality Welds.
- Complete With Dent Pulling Package for Welding: Pulling Washers, Rivets, and Wiggle Wire Etc.

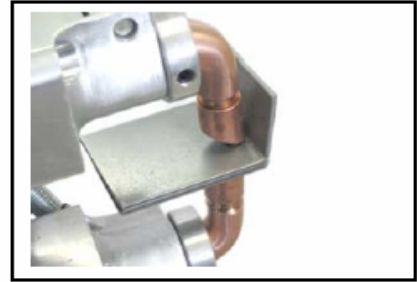




Clamp & Cable Supports



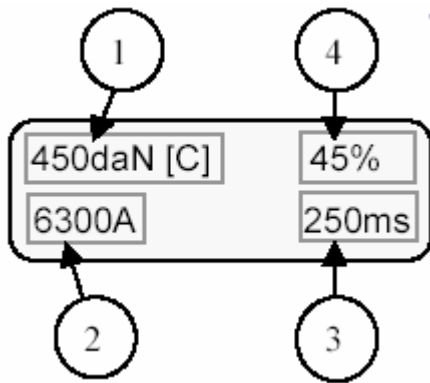
Easy Manipulation



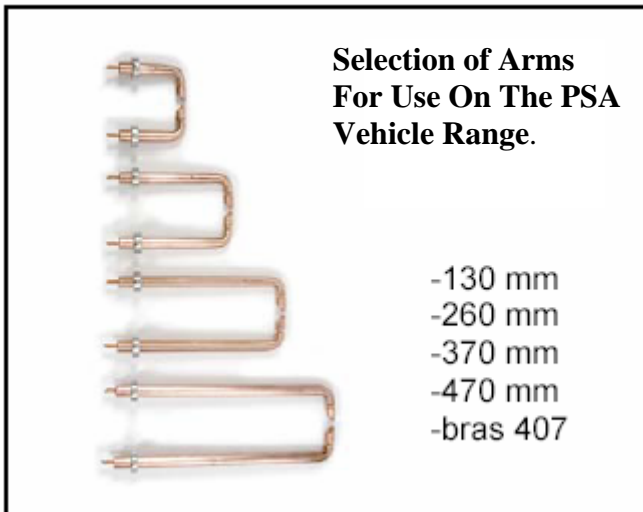
Easy Access



Digital Readout on Main Control Panel



No.	Description
1.	Confirmation Value of Force
2.	Production of Amps selection
3.	Weld Time Duration
4.	Percentage of Power Selection



Full Range Of Accessories Including; Star Washers, Threaded Bolts, Rivets, Pulling Washers, Wiggle Wire Etc.



Quick Pull Slide Hammer For Use With Single Side Gun



Standard Slide Hammer For Use With Welded Rivets or Nails

CompuSpot

800-HF

Power Supply Requirements AC Input:	208-240V 3 phases
Main Frequency	50-60 Hz
Welding Current Regulation	YES-Automatic by processor
Max Welding Current (RMS)	14,000 Amps
Main Fuse	80 amp slow blow
Welding Frequency	2000Hz
Operating Air Pressure	8 bar (110 to 110 psi line pressure)
Electrode Force	550daN (125mm Arms Set)
Electrode Arms Diameter	22 mm
Cooling Mechanism; Circuits, Cables & Arms	Liquid (Sealed unit)
Nominal Operating Temp	86 degrees F
Weight of C Clamp (W/O Arms)	15.4 lb
Welding Cable Diameter / Length	8 ft. Liquid Cooled
Dimension (Excluding Boom) H / W / L (mm)	58 1/2" / 25 1/2" / 27 3/4"
Weight	429 lb



WARRANTY

Except as noted herein, this equipment is guaranteed to the original owner against defective materials or workmanship for a period of five (5) years from the date of delivery. Exceptions are as follows: A warranty of five (5) years on its transformer, diode, rectifier, and choke, and one (2) years on the electronic circuit board and drive motor. In addition, all external components; torches, cable assemblies, clamps, wheels, and holders are warranted for a period of ninety (90) days. **CONSUMABLE ITEMS** such as tips, nozzles, and electrodes **ARE NOT COVERED UNDER WARRANTY.**